

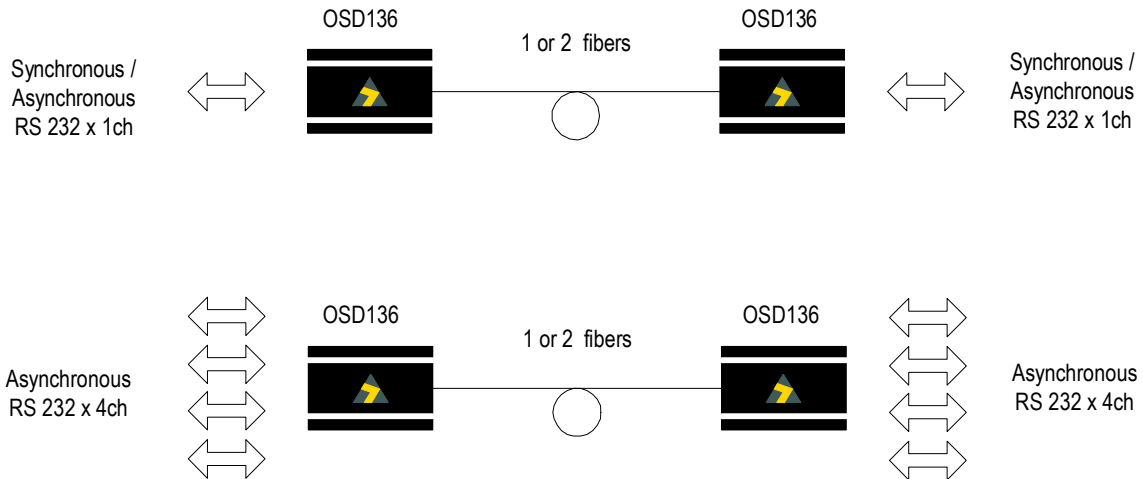
**APPLICATIONS**

- ▲ Secure communications
- ▲ Long distance synchronous or asynchronous RS232 links
- ▲ Hazardous environments
- ▲ Links requiring transfer of control lines
- ▲ Terminal cluster to computer links

**FEATURES AND BENEFITS**

- ▲ Full duplex synchronous or asynchronous data transmission at up to 20kbps
- ▲ Small EMI/RFI resistant metal enclosure plugs onto the back of the computer or terminal
- ▲ Safe transmission in hazardous environments
- ▲ More secure than copper cables
- ▲ Small size, low cost, robust and reliable
- ▲ Can be used as a 4-channel RS232 multiplexer
- ▲ No user adjustments

**TYPICAL APPLICATION DESIGN**



**ORDERING INFORMATION**

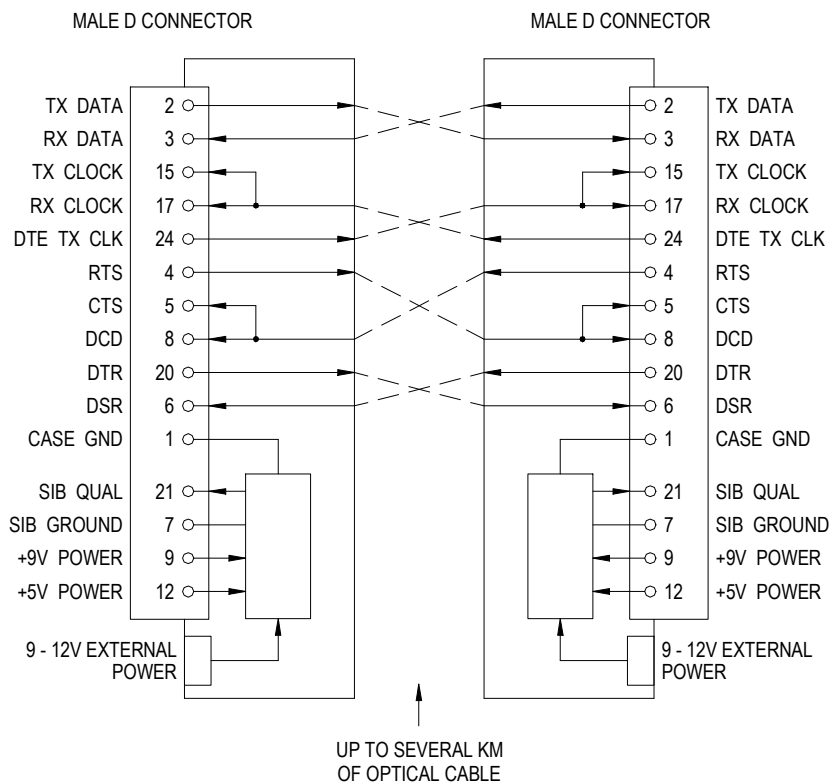
OSD136	Fiber Optic RS232 Transceiver, compact module
OSD136L	Singlemode Fiber Optic RS232 Transceiver, compact module
OSD136MB	Wall mounting bracket for compact module
Option C	Wall mountable module (for 1-fiber version only)
Option /100	Card version



# SPECIFICATIONS

Data Rate	DC to 20kbps asynchronous or synchronous
Optical Transmit Power	-20 to -14dBm into 62.5/125 multimode fiber -20 to -13dBm into singlemode fiber (OSD136L only)
Receiver Sensitivity	<-43dBm
Optical Link Budget	>23dB at 850nm for OSD136 (>6km of multimode fiber) >23dB at 1310nm for OSD136L (>60km of singlemode fiber)
Receiver Saturation	>-10dBm
Optical Wavelength	850nm nominal (1310nm for the OSD136L)
Optical Connector	ST standard
Signal Loss Indicator	LED is green with good signal and red with too low an optical signal
Electrical Connector	25 pin male D-Subminiature
Power Connector	1.3mm socket on side of case
Power	+8 to + 13VDC @ 150mA supplied by external power supply or via pin 9 of the D connector <b>OR</b> 4.75 to 5.25VDC supplied via pin 12 of the D connector
Dimensions (mm)	15H x 44W x 80D (excluding optical connectors)
Operating Temperature	-20 to +75°C
Relative Humidity	0 to 95% non-condensing

## D CONNECTOR PIN ASSIGNMENTS



Doc ID: 10213605